



**Wine cooler**  
**7455.1900 - 7455.1905 - 7455.1910**

User Manual  
Gebruikershandleiding  
Gebrauchsanweisung  
Le mode d'emploi



# CONTENT

## ENGLISH

COMPONENTS AND PARTS .....	3
IMPORTANT SAFETY PRECAUTIONS .....	4
INSTALLATION INSTRUCTIONS .....	4
APPLIANCE FEATURES .....	5
OPERATING YOUR APPLIANCE .....	6
CARE AND MAINTENANCE .....	7
TROUBLESHOOTING GUIDE .....	8

## NEDERLANDS

COMPONENTEN EN ONDERDELEN .....	9
BELANGRIJKE VEILIGHEIDSMaatregelen .....	10
INSTALLATIE INSTRUCTIES .....	10
KENMERKEN VAN HET APPARAAT .....	11
UW APPARAAT GEBRUIKEN .....	12
SCHOONMAAK EN ONDERHOUD .....	13
PROBLEEMOPLOSSING .....	14

## DEUTSCH

KOMPONENTEN UND TEILE .....	15
WICHTIGE SICHERHEITSVORKEHRUNGEN .....	16
MONTAGEANLEITUNGEN .....	16
GERÄTEMERKMALE .....	17
BEDIENUNG DES GERÄTES .....	18
PFLEGE UND WARTUNG .....	19
ANLEITUNG ZUR FEHLERBEHEBUNG .....	20

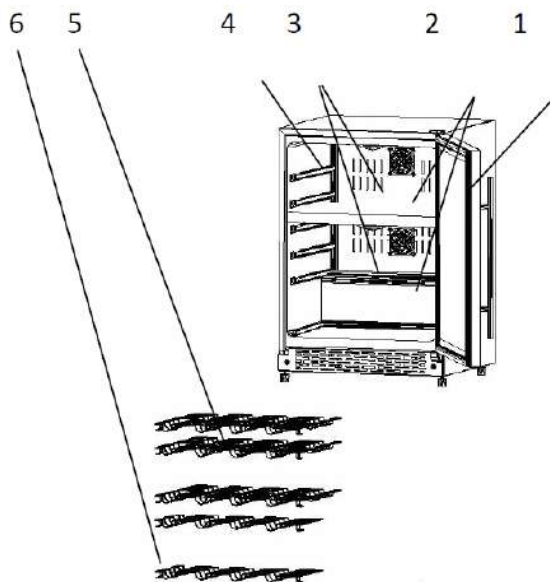
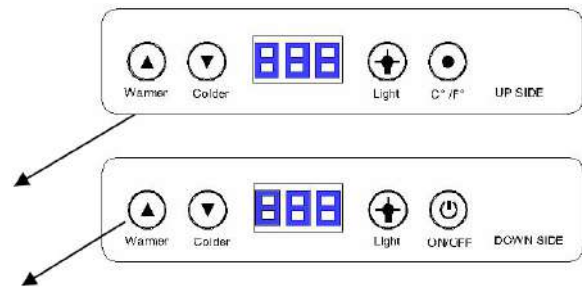
## FRANÇAIS

COMPOSANTS ET PIÈCES .....	21
CONSIGNES DE SÉCURITÉ IMPORTANTES .....	22
INSTRUCTIONS D'INSTALLATION .....	22
CARACTÉRISTIQUES DE L'APPAREIL .....	23
UTILISATION DE VOTRE APPAREIL .....	24
SOIN ET ENTRETIEN .....	25
GUIDE DE DÉPANNAGE .....	26

To ensure proper use of this appliance and your safety, please read the following instructions completely before operating this appliance.

## COMPONENTS AND PARTS

1. Temperature Control and Display
2. Circulation Fan Up Zone Manifestation hold
3. Interior Light Down Zone Manifestation hold
4. Cabinet
5. Big Sculptured Chrome Shelf (Wine Storage)
6. Small Sculptured Chrome Shelf (Wine Storage)



## IMPORTANT SAFETY PRECAUTIONS

<b>⚡ WARNING ⚡</b>	To reduce the risk of fire, electrical shock, or injury when using your appliance, follow these basic precautions:
<ul style="list-style-type: none"><li>• This appliance is not intended for use by persons (including children) with reduced physical, sensory or mental capabilities, or lack of experience and knowledge, unless they have been given supervision or instruction concerning use of the appliance by a person responsible for their safety.</li><li>• Children should be supervised to ensure that they do not play with the appliance.</li><li>• Read all instructions before using the wine or beverage cooler.</li><li>• <b>DANGER or WARNING:</b> Risk of child entrapment.</li><li>• To avoid the possibility of child entrapment, please take the following precautions before throwing out the appliance.<ul style="list-style-type: none"><li>- Remove all doors from the unit.</li><li>- Leave the shelves in place so that children may not easily climb inside.</li></ul></li><li>• Never allow children to operate, play with, or crawl inside the appliance.</li><li>• <b>Refrigerants:</b> All refrigeration products contain refrigerants, which under the guidelines of federal law must be removed before disposal of product. It is the consumer's responsibility to comply with federal and local regulations when disposing of this product.</li><li>• Never clean appliance parts with flammable fluids. The fumes can create a fire hazard or explosion.</li><li>• Do not store or use gasoline or any other flammable vapors and liquids in the vicinity of this or any other appliance. The fumes can create a fire hazard or an explosion.</li></ul>	
-Save these instructions-	

## INSTALLATION INSTRUCTIONS

### Before Using Your Appliance

- Remove the exterior and interior packing.
- Before connecting the appliance to the power source, let it stand upright for approximately 4 hours. This will reduce the possibility of a malfunction in the cooling system from improper handling during transportation.
- Clean the interior surface with lukewarm water using a soft cloth.

### Free-Standing Installation

- This appliance is designed to be **installed built-in or free standing**.
- Locate the appliance away from direct sunlight and sources of heat (stove, heater, radiator, etc.). Direct sunlight may affect the acrylic coating and heat sources may increase electrical consumption. Ambient temperature below 68°F (20°C) or above 90°F (32°C) will hinder the performance of this appliance. **This unit is not designed for use in a garage or any other outside installation.**
- Avoid locating the appliance in moist areas.
- Plug the appliance into dedicated, properly installed-grounded wall outlet. Do not under any circumstances cut or remove the third (ground) prong from the power cord. Any questions concerning power and/or grounding should be directed toward a certified electrician or an authorized service center. **This unit is not designed to be installed in an RV or used with an inverter.**
- After plugging the appliance into a wall outlet, allow the unit to cool down for 3 ~ 4 hours before placing wine bottles or beverage cans in the appliance.

### Built-In Installation

The cutout dimension illustrated in figure (A) allows for door swing and access to the pull-out shelves when installed as a built-in appliance. If installing between frameless cabinets, a ½" wide filler strip or side panel may be needed on hinge side. The filler strip will act as a spacer between the appliance case and adjacent cabinet door swing. The width of the opening must include the filter panels.

**Note:**

The door should protrude at least 1" beyond the surrounding cabinets.

**Electrical Connection**

This appliance should be properly grounded for your safety. The power cord of this appliance is equipped with a three-prong plug which mates with standard three prong wall outlets to minimize the possibility of electrical shock. Do not, under any circumstances, cut or remove the third ground prong from the power cord supplied.

This appliance requires a standard 115 Volt A.C. /60Hz electrical outlet with three-prong ground ( **Product to America** ) or 220-240 Volt A.C. /50Hz electrical outlet with three-prong ground ( **Product to Europe** )

This appliance is not designed to be used with an inverter.

The cord should be secured behind the appliance and not left exposed or dangling to prevent accidental injury. Never unplug the appliance by pulling the power cord. Always grip the plug firmly and pull straight out from the receptacle.

Do not use an extension cord with this appliance. If the power cord is too short, have a qualified electrician or service technician install an outlet near the appliance. Use of an extension cord can negatively affect the performance of the unit.

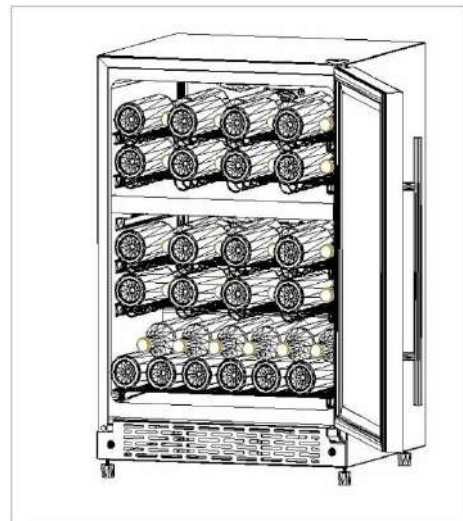
**APPLIANCE FEATURES****Two Temperature Zones**

- There are two zones in this appliance (Up zone and down zone)
- Each zone has its independent temperature control and display.
- Each of the two zones can be used to store wine bottles or beverages.
- the Up zone can hold up to 16 wine bottles\* and the Down zone can hold up to 28 wine bottles\*.

\*The max. capacity of wine bottles is based on standard 750ml Bordeaux bottles.

**Interior Light**

- Each zone has its own interior light, which can be switched on or off by pressing the pad (light) on the control panel. Long-life and high efficiency LEDs are installed for durability and energy saving.

**Engaged Wine Shelves**

- All the shelves have tabs to engage the cabinet on both sides.
- Any of the shelves can be removed to accommodate larger bottles.

**To Remove a Shelf:**

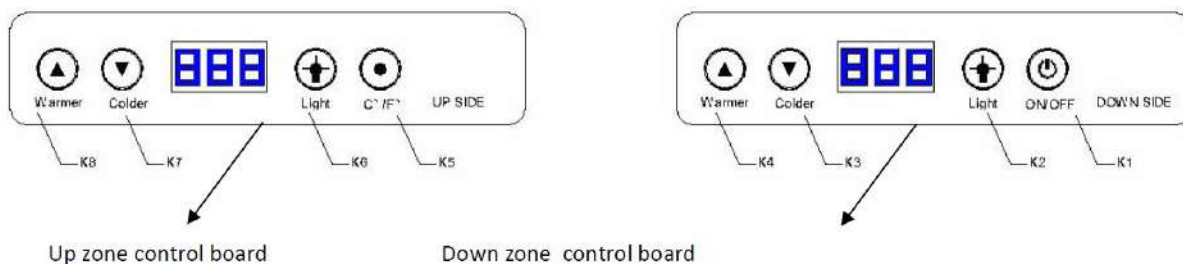
- Remove all bottles (cans) from the shelves.
- Lift the shelf upwards and then gently pull out the shelf.

**To Replace a Shelf:**

- Place the sides of the shelves back onto the supporting guides of the cabinet and push back until the shelf tabs slide into place.

**NOTE: Ensure that the tabs are firmly engaged in place before storing any bottles.**

## OPERATING YOUR APPLIANCE



### The temperature of store Wine

Champagne 5°C - 8°C, White Grape wine 9°C - 14°C, Red Grape wine 15°C - 18°C

### Temperature Control and Display

1. When the unit is plugged both indicators will light for 3 seconds (display 888), and an audible beep will be heard.
2. The temperatures in up zone and down zone can be independently controlled and displayed.
3. The temperature in either zone can be controlled between 39°F to 68°F (4°C to 20°C). (The zone temperature may have a tolerance of +/-5°F (+/-3°C) from setting depending on different loading and ambient conditions.)

### Memory device

When restart the appliance after a power failure, the memory device will be

### K1 key (ON/OFF)

Power switch: press this key for turn on and turn off appliance. For avoid accident control please keep pressing for 3 seconds.

### K2 key (down interior light)

Interior light control switch of the down zone: To turn on or turn off the interior light, by pressing K2 key once for each time. The interior light will keep lighting if it is not turn off.

### K3/K4 key (colder /warmer)

Temperature setting switch of down zone: Under normal conditions the temperature display will flash and indicates the current temperature of the down zone. Pressing the K3/K4 key when setting the temperature, the temperature displayed will decrease or increase in an increment of one degree. If the K3 (colder) or K4 (warmer) key is pressed and held for one second, the temperature displayed will decrease or increase in a speed of one degree per one second. The temperature display will flash 5 seconds after the temperature been set, and indicates the current temperature.

### K5 key (C°/F°)

The temperature display can be changed between Celsius and Fahrenheit by pressing K5 key.

### K6 key (up interior light)

Interior light control switch of the up zone: To turn on or turn off the interior light, by pressing K6 key once for each time. The interior light will keep lighting if it is not turn off.

### K7/K8 key (colder /warmer)

Temperature setting switch of up zone: Under normal conditions the temperature display will flash and indicates the current temperature of the up zone. Pressing the K7/K8 key when setting the temperature, the temperature displayed will decrease or increase in an increment of one degree. If the K7 (colder) or K8 (warmer) key is pressed and held for one second, the temperature displayed will decrease or increase in a speed of one degree per one second. The temperature display will flash 5 seconds after the temperature been set, and indicates the current temperature.

## CARE AND MAINTENANCE

### Automatic defrost

- The ice build-up on the inner back wall during compressor operation will be automatically defrosted in a compressor off cycle.
- When defrosting is in process, only the circulation fans for both zones run.
- Defrost water will drain into the drip dish(on the compressor) .and the Water will be evaporate by compressor

### Cleaning

- Upon installation of your new appliance, it is recommended that it be cleaned thoroughly.
- Unplug the unit from the wall outlet.
- Remove all contents.
- Wash the inside with a damp warm cloth soaked in lukewarm water and baking soda solution. The solution should be about 2 tablespoons of baking soda to a quart of water.
- Be sure to keep the door gasket (seal) clean to keep the unit running efficiently.
- The outside of the appliance should be cleaned with mild detergent and warm water.
- Dry the interior and exterior with a soft cloth.
- Dust or anything else blocking the vent may hinder the cooling efficiency of the appliance. Vacuum the vent if necessary.

### Vacations

- Unplug the unit from the wall outlet.
- Remove all the contents.
- Clean the appliance.
- Leave the door open slightly to avoid possible formation of condensation, mold, or odors.
- Short vacations: Leave the appliance operating during vacations of less than three weeks.
- Long vacations: If the appliance will not be used for several months, remove all content and unplug the power cord. Clean and dry the interior thoroughly. To prevent odor and mold growth, leave the door open slightly, blocking it open if necessary.

### Moving your appliance

- Unplug the unit from the wall outlet.
- Remove all the contents.
- Securely tape down all loose items inside your appliance.
- Tape the doors shut.

### Energy saving tips

- The appliance should be located in the coolest area of the room, away from heat producing appliances or heating ducts, and out of the direct sunlight.
- Ensure that door is closed when the appliance is plugged in.

## TROUBLESHOOTING GUIDE

You can solve many common appliance problems easily, saving you the cost of a possible service call. Try the suggestions below to see if you can solve the problem before calling for service.

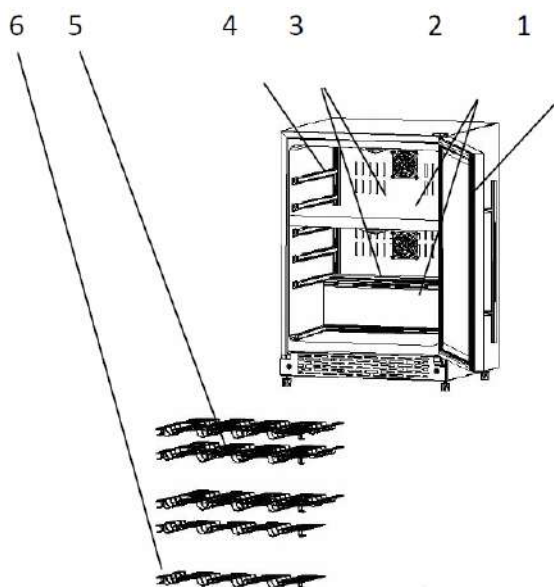
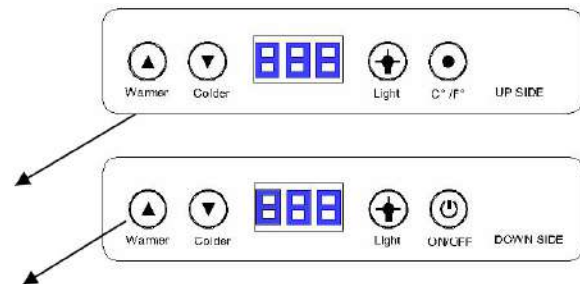
PROBLEM	POSSIBLE CAUSE
Display flash and indicate "HH", flash speed one time per second	The temperature sensor of zone >37°
Display flash and indicate "LL", flash speed one time per second	The temperature sensor of zone <0°
Display flash and indicate "E0", flash speed one time per second	Connection failure, wire or component is not connected tightly
Display flash and indicate "E1", flash speed one time per second	The temperature sensor is failure in corresponding zone
Display flash and indicate "E2", flash speed one time per second	The defrost sensor (coil sensor) is failure in corresponding zone
Appliance does not operate	Not plugged in. The circuit breaker has tripped or there is a blown fuse.
Temperature inside the appliance is too warm	Temperature control is set too warm. Turn the control to a cooler setting and allow several hours for the temperature to stabilize. Door is kept open too long or is opened too frequently. Warm air enters the appliance every time the door is opened. Open the door less often. The door is not closed completely. The door gasket does not seal properly. The appliance has recently been disconnected for a period of time. 4 hours are required for the appliance to cool down completely.
Temperature inside the appliance is too cold	Temperature control is set too cold. Turn the control to a warmer setting and allow several hours for the temperature to stabilize.
Vibrations.	Check to assure that the appliance is on a level surface. The appliance is touching the wall. Re-level the appliance and move it from the wall. If continued vibration occurs, turn off the appliance and unplug the power plug. Contact Customer Service Dept. for further assistance.
Moisture forms on inside appliance walls	Door is slightly open. Door is kept open too long, or is opened too frequently. Open the door less often. The door is not sealed properly.
Moisture forms on outside of appliance	Door is slightly open, causing cold air from inside the appliance to meet warm moist air from outside.
The door will not close properly	The appliance is not on a level surface. The gasket is dirty.



Lees voor het gebruik van dit apparaat en uw veiligheid de volgende instructies volledig door voordat u het apparaat in gebruik neemt.

## COMPONENTEN EN ONDERDELEN

1. Temperatuurregeling en display
2. Circulatie Ventilator Up Zone Manifestatie wacht
3. Binnenlicht Down Manifestatie wacht
4. Kast
5. Grote beeldhouwde Chrome-plank (wijnopslag)
6. Kleine beeldhouwde Chrome-plank (wijnopslag)



## BELANGRIJKE VEILIGHEIDSMATREGELEN

<b>⚡ WAARSCHUWING ⚡</b>	Volg deze basis voorzorgsmaatregelen om het risico op brand, elektrische schokken of verwonding te verminderen wanneer u uw apparaat gebruikt:
<ul style="list-style-type: none"><li>● Dit apparaat is niet bedoeld voor gebruik door personen (inclusief kinderen) met beperkte fysieke, sensorische of mentale capaciteiten, of gebrek aan ervaring en kennis, tenzij ze toezicht hebben gekregen of instructies hebben gekregen over het gebruik van het apparaat door een persoon die verantwoordelijk is voor hun veiligheid.</li><li>● Houd toezicht op kinderen om ervoor te zorgen dat ze niet met het apparaat spelen.</li><li>● Lees alle instructies voordat u de wijn- of drankenkoeler gebruikt.</li><li>● <b>GEVAAR of WAARSCHUWING:</b> Risico dat kinderen vast komen te zitten.</li><li>● Om de mogelijkheid dat kinderen vast komen te zitten te voorkomen, moet u de volgende voorzorgsmaatregelen nemen voordat u het apparaat weggooit.<ul style="list-style-type: none"><li>- Verwijder alle deuren van het apparaat.</li><li>- Laat de planken op hun plaats zodat kinderen niet gemakkelijk naar binnen kunnen klimmen.</li></ul></li><li>● Laat kinderen nooit met het apparaat werken, spelen of erin kruipen.</li><li>● <b>Koelmiddelen:</b> alle koelproducten bevatten koelmiddelen, die volgens de richtlijnen van de federale wetgeving moeten worden verwijderd voordat het product wordt weggegooid. Het is de verantwoordelijkheid van de consument om te voldoen aan federale en lokale voorschriften bij het afvoeren van dit product.</li><li>● Reinig de onderdelen van het apparaat nooit met ontvlambare vloeistoffen. De dampen kunnen brand of explosies veroorzaken.</li><li>● Bewaar of gebruik geen benzine of andere ontvlambare dampen en vloeistoffen in de buurt van dit of enig ander apparaat. De dampen kunnen brand of een explosie veroorzaken.</li></ul> <p style="text-align: center;">-Bewaar deze instructies-</p>	

## INSTALLATIE INSTRUCTIES

### Voordat u uw apparaat gebruikt

- Verwijder de buiten- en binnen verpakking.
- Voordat u het apparaat op de stroombron aansluit, moet u het ongeveer 4 uur rechtop laten staan. Hierdoor wordt de kans verkleind dat het koelsysteem niet goed werkt tijdens het transport.
- Reinig het binnen oppervlak met lauw water met een zachte doek.

### Vrijstaande installatie

- Dit apparaat is ontworpen om **ingebouwd of vrijstaand te worden geïnstalleerd**.
- Plaats het apparaat uit de buurt van direct zonlicht en warmtebronnen (kachel, verwarming, radiator, enz.). Direct zonlicht kan de acryl-coating aantasten en warmtebronnen kunnen het elektriciteitsverbruik doen toenemen. Omgevingstemperatuur onder 20°C of hoger dan 32°C (90°F) zal de prestaties van dit apparaat belemmeren. **Dit apparaat is niet ontworpen voor gebruik in een garage of een andere buiteninstallatie.**
- Plaats het apparaat niet op vochtige plaatsen.
- Sluit het apparaat aan op een geschikt, correct geïnstalleerd geaard stopcontact. Knip of knip in geen geval de derde (aard) tand uit het netsnoer. Alle vragen met betrekking tot stroom en / of aarding moeten worden gericht aan een gecertificeerde elektricien of een erkend servicecentrum. **Dit apparaat is niet ontworpen voor installatie in een RV of gebruik met een omvormer.**
- Nadat u het apparaat op een stopcontact hebt aangesloten, laat u het apparaat 3 - 4 uur afkoelen voordat u wijnflessen of drankblikjes in het apparaat plaatst.

### Ingebouwde installatie

De uitsparing in afbeelding (A) maakt deuropening en toegang tot de uitschuifbare legborden mogelijk bij inbouw als een ingebouwd apparaat. Als er tussen frame loze kasten wordt geïnstalleerd, kan aan de scharnierkant een ½ "brede vulstrip of zijpaneel nodig zijn. De opvulstrip fungeert als afstandhouder tussen de behuizing van het apparaat en de schommel van de aangrenzende kastdeur. De breedte van de opening moet de filterpanelen omvatten.

### Opmerking:

De deur moet minstens 1 inch buiten de omringende kasten uitsteken

### Elektrische verbinding

Dit apparaat moet goed worden geaard voor uw veiligheid. Het netsnoer van dit apparaat is uitgerust met een driepolige stekker die past op standaard drie-polige wandcontactdozen om de mogelijkheid van een elektrische schok te minimaliseren. Knip of knip in geen geval de derde aarding uit het meegeleverde netsnoer.

Dit apparaat vereist een standaard 115 Volt wisselstroom / 60 Hz stopcontact met drietandige aarding (**Product naar Amerika**) of 220-240 Volt wisselstroom / 50 Hz stopcontact met drietandige aarding (**Product naar Europa**)

Dit apparaat is niet ontworpen voor gebruik met een omvormer.

Het snoer moet achter het apparaat worden vastgemaakt en mag niet worden blootgelegd of bungelen om te voorkomen dat u per ongeluk letsel oploopt.

Trek nooit de stekker uit het stopcontact door aan het netsnoer te trekken. Pak de stekker altijd stevig vast en trek hem recht uit de houder.

Gebruik geen verlengsnoer met dit apparaat. Als het netsnoer te kort is, laat dan een gekwalificeerde elektricien of onderhoudstechnicus een stopcontact in de buurt van het apparaat installeren. Het gebruik van een verlengsnoer kan de prestaties van het apparaat negatief beïnvloeden.

## KENMERKEN VAN HET APPARAAT

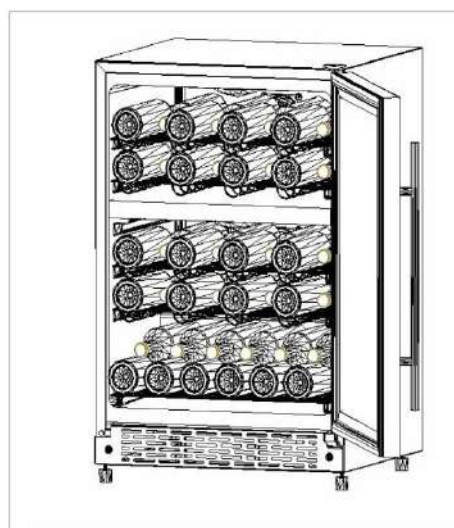
### Twee temperatuurzones

- Er zijn twee zones in dit apparaat (Zone omhoog en omlaag)
- Elke zone heeft zijn onafhankelijke temperatuurregeling en display.
- Elk van de twee zones kan worden gebruikt om wijnflessen of dranken op te slaan.
- De Up zone kan maximaal 16 wijnflessen\* bevatten en de Down zone kan maximaal 28 wijnflessen\* bevatten.

\*De maximale capaciteit van wijnflessen is gebaseerd op standaard 750ml Bordeauxflessen.

### Binnenverlichting

- Elke zone heeft een eigen binnenverlichting, die kan worden in- of uitgeschakeld door op de pad (licht) op het bedieningspaneel te drukken. Lange levensduur en hoog rendement LEDS zijn geïnstalleerd voor duurzaamheid en energiebesparing.



### Apart bedienbare wijnplanken

- Alle planken hebben tabs om de kast aan beide zijden in te schakelen.
- Elk van de planken kan worden verwijderd om grotere flessen te kunnen plaatsen.

### Een plank verwijderen:

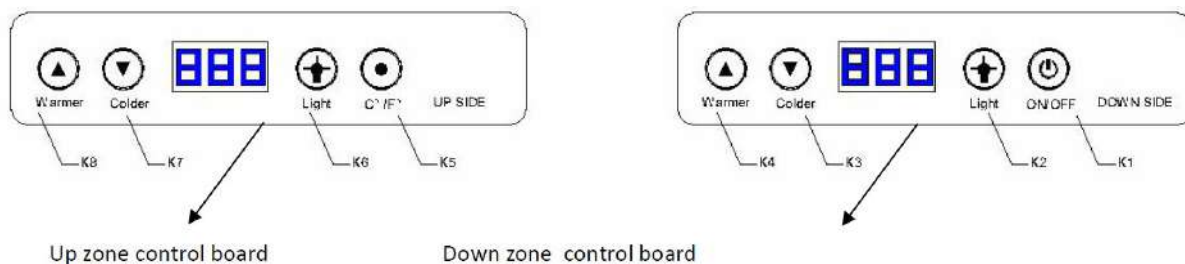
- Verwijder alle flessen (blikken) uit de schappen.
- Til de plank naar boven en trek de plank er voorzichtig uit.

### Een plank vervangen:

- Plaats de zijkanten van de planken terug op de ondersteunende geleiders van de kast en duw ze naar achteren totdat de lipjes op hun plaats vallen.

**OPMERKING: zorg ervoor dat de lipjes stevig op hun plaats zitten voordat u flessen opbergt.**

## UW APPARAAT GEBRUIKEN



### De temperatuur van opgeslagen wijn

Champagne 5°C - 8°C , Witte druivenwijn 9°C - 14°C, Rode druivenwijn 15°C - 18°C

### Temperatuurregeling en display

1. Als het apparaat is aangesloten, branden beide indicatoren gedurende 3 seconden (display888) en hoort u een hoorbare pieptoon.
2. De temperaturen in de boven- en onderzone kunnen onafhankelijk worden geregeld en weergegeven.
3. De temperatuur in beide zones kan worden geregeld tussen 4°C en 20°C (39°F tot 68°F). (De zone-temperatuur kan een tolerantie hebben van +/- 5°F (+/- 3°C) vanaf het instellen afhankelijk van de verschillende beladings- en omgevingscondities.)

### Apparaat geheugen

Wanneer het apparaat opnieuw wordt opgestart na een stroomstoring, zal het apparaat geheugen zo zijn

#### K1 toets (ON/OFF)

Aan / uitknop: druk op deze toets om het apparaat in te schakelen en uit te schakelen. Om ongevallen te voorkomen, blijf 3 seconden drukken.

#### K2 toets (onderste binnenverlichting)

Schakelaar binnenverlichting van de onderste zone: om de binnenverlichting in of uit te schakelen, door voor elke keer één keer op K2 te drukken. Het binnenlicht blijft branden als het niet wordt uitgeschakeld.

#### K3/K4 toets (colder /warmer)

Temperatuurinstellingsschakelaar van neerwaartse zone: onder normale omstandigheden zal het temperatuurdisplay knipperen en de huidige temperatuur van de neerwaartse zone aangeven. Als u tijdens het instellen van de temperatuur op de K3 / K4-toets drukt, wordt de weergegeven temperatuur met één graad verhoogd of verlaagd. Als de K3 (koudere) of K4 (warmere) toets één seconde wordt ingedrukt en ingedrukt gehouden, neemt de weergegeven temperatuur af of toe met een snelheid van één graad per seconde. Het temperatuurdisplay knippert 5 seconden nadat de temperatuur is ingesteld en geeft de huidige temperatuur aan.

#### K5 toets (C°/F°)

Het temperatuurdisplay kan worden gewijzigd tussen Celsius en Fahrenheit door op de K5-toets te drukken.

#### K6 toets (bovenste binnenverlichting)

Schakelaar binnenverlichting van de bovenste zone: om de binnenverlichting in of uit te schakelen, druk elke keer één keer op K6. Het binnenlicht blijft branden als het niet wordt uitgeschakeld.

#### K7/K8 toets (koudere /warmer)

Temperatuurinstellingsschakelaar van zone omhoog: onder normale omstandigheden zal het temperatuurdisplay knipperen en de huidige temperatuur van de zone omhoog aangeven. Als u op de K7 / K8-toets drukt wanneer u de temperatuur instelt, wordt de weergegeven temperatuur met één graad verhoogd of verlaagd. Als de toets K7 (koudere) of K8 (warmer) één seconde wordt ingedrukt en ingedrukt, neemt de weergegeven temperatuur af of toe met een snelheid van één graad per seconde. Het temperatuurdisplay knippert 5 seconden nadat de temperatuur is ingesteld en geeft de huidige temperatuur aan.

## SCHOONMAAK EN ONDERHOUD

### Automatische ontdooiing

- De ijsvorming op de binnenste achterwand tijdens het gebruik van de compressor wordt automatisch ontdooid in een uit-cyclus van de compressor.
- Wanneer het ontdooien bezig is, lopen alleen de circulatie-ventilatoren voor beide zones.
- Het ontdooi- water zal in de lekbak (op de compressor) lopen en het water zal door de compressor worden verdampt

### Schoonmaken

- Bij de installatie van uw nieuwe apparaat is het aan te bevelen deze grondig te reinigen.
- Koppel het apparaat los van het stopcontact.
- Verwijder alle inhoud.
- Was de binnenkant met een vochtige warme doek gedrenkt in lauw water en een soda-oplossing. De oplossing moet ongeveer 2 eetlepels zuiveringszout zijn tot een liter water.
- Zorg ervoor dat de pakking van de deur (afdichting) schoon is om het apparaat efficiënt te laten werken.
- De buitenkant van het apparaat moet worden schoongemaakt met een mild reinigingsmiddel en warm water.
- Droog de binnen- en buitenkant met een zachte doek.
- Stof of andere dingen die de ventilatieopeningen blokkeren, kunnen het koelrendement van het apparaat belemmeren. Vacumeer de ontluchting indien nodig.

### Vakanties

- Koppel het apparaat los van het stopcontact.
- Verwijder de volledige inhoud.
- Maak het apparaat schoon.
- Laat de deur een beetje open staan om mogelijke vorming van condensatie, schimmels of geuren te voorkomen.
- Korte vakanties: laat het apparaat werken tijdens vakanties van minder dan drie weken.
- Lange vakanties: als het apparaat enkele maanden niet zal worden gebruikt, verwijder dan alle inhoud en haal de stekker uit het stopcontact. Reinig en droog het interieur grondig. Om geur en schimmelgroei te voorkomen, laat u de deur een beetje open staan en blokkeert deze indien nodig.

### Uw apparaat verplaatsen

- Koppel het apparaat los van het stopcontact.
- Verwijder de volledige inhoud.
- Maak alle losse items in uw apparaat stevig vast.
- Plak de deuren dicht.

### Energiebesparende tips

- Het apparaat moet zich in de koelste ruimte van de kamer bevinden, uit de buurt van warmtebronnen of verwarmingsbuizen en uit direct zonlicht.
- Zorg ervoor dat de deur gesloten is wanneer het apparaat is aangesloten.

## PROBLEEMOPLOSSING

U kunt veel algemene apparaat problemen eenvoudig oplossen, waardoor u de kosten van een mogelijk onderhoud bespaart. Probeer de onderstaande suggesties om te zien of u het probleem kunt oplossen voordat u de onderhoudsdienst belt.

PROBLEEM	MOGELIJKE OORZAAK
Display flitst en geeft "HH" weer, flitssnelheid één tijd per seconde	De temperatuursensor van zone >37°
Display flitst en geeft "LL" weer, flitssnelheid één tijd per seconde	De temperatuursensor van zone <0°
Display flitst en geeft "E0" weer, flitssnelheid één tijd per seconde	Verbindingsfout, draad of component is niet goed aangesloten
Display flitst en geeft "E1" weer, flitssnelheid één tijd per seconde	De temperatuursensor is defect in de overeenstemmende zone
Display flitst en geeft "E2" weer, flitssnelheid één tijd per seconde	De ontdooisensor (spoel sensor) is defect in overeenstemmende zone
Apparaat werkt niet	Niet aangesloten. De stroomonderbreker is gesprongen of er is een gesprongen zekering.
De temperatuur in het apparaat is te warm	Temperatuurregeling is te warm ingesteld. Draai de knop naar een koelere stand en laat enkele uren de temperatuur stabiliseren. Deur wordt te lang open gehouden of wordt te vaak geopend. Warme lucht komt het apparaat binnen elke keer dat de deur wordt geopend. Open de deur minder vaak. De deur is niet volledig gesloten. De pakking van de deur sluit niet goed. Het apparaat is onlangs afgesloten gedurende een bepaalde periode. 4 uur zijn nodig om het apparaat volledig te laten afkoelen.
De temperatuur in het apparaat is te koud	Temperatuurregeling is te koud ingesteld. Draai de knop naar een warmere stand en laat enkele uren de temperatuur stabiliseren.
Trillingen	Controleer of het apparaat op een vlakke ondergrond staat. Het apparaat raakt de muur. Herschik het apparaat en verplaats het van de muur. Als het apparaat blijft trillen, schakelt u het apparaat uit en haalt u de stekker uit het stopcontact. Neem contact op met de Klantendienst voor verdere hulp.
Vocht vormt zich aan de binnenwanden van het apparaat	Deur is enigszins open. Deur wordt te lang open gehouden of wordt te vaak geopend. Open de deur minder vaak. De deur is niet goed afgesloten.
Vocht vormt zich aan de buitenkant van het apparaat	De deur is enigszins open, waardoor er koude lucht uit het apparaat komt om warme vochtige lucht van buitenaf te ontmoeten.
De deur sluit niet goed	Het apparaat staat niet op een vlakke ondergrond. De pakking is vuil.

Um den ordnungsgemäßen Gebrauch des Gerätes und Ihre Sicherheit zu gewährleisten, lesen Sie bitte die folgende Anleitung vollständig durch, bevor Sie das Gerät in Betrieb nehmen.

## KOMPONENTEN UND TEILE

1. Temperaturkontrolle und Anzeige



2. Luft-Gebläse nach oben Zonenmanifestationshalterung

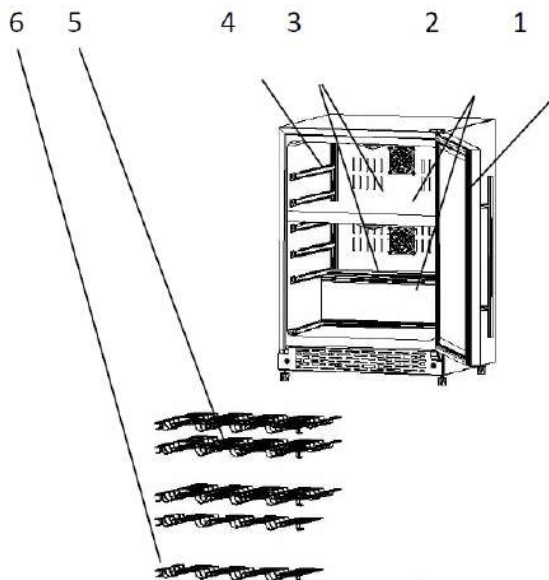


3. Innenbeleuchtung nach unten Zonenmanifestationshalterung



4. Gehäuse

5. Großes geformtes Chromregal (Weinlager)

6. Kleines geformtes Chromregal (Weinlager)



## WICHTIGE SICHERHEITSVORKEHRUNGEN

 <b>WARNUNG</b> 	Um das Risiko von Bränden, Stromschlägen oder Verletzungen bei der Verwendung des Geräts zu verringern, sollten diese grundlegenden Vorsichtsmaßnahmen befolgt werden:
<ul style="list-style-type: none"><li>• Dieses Gerät ist nicht für den Gebrauch durch Personen (einschließlich Kinder) mit eingeschränkter körperlicher, sensorischer oder geistiger Fähigkeit oder mangelnder Erfahrung und Kenntnis bestimmt, es sei denn, diese Personen wurden von einer für ihre Sicherheit verantwortlichen Person beaufsichtigt oder unterwiesen.</li> <li>• Kinder sollten beaufsichtigt werden, um sicherzustellen, dass sie nicht mit dem Gerät spielen.</li><li>• Lesen Sie alle Anweisungen, bevor Sie den Wein- oder Getränk Kühler verwenden.</li><li>• <b>ACHTUNG oder WARNUNG:</b> Gefahr des Einklemmens von Kindern.</li><li>• Um die Möglichkeit des Einklemmens von Kindern zu vermeiden, treffen Sie bitte die folgenden Vorsichtsmaßnahmen, bevor Sie das Gerät wegwerfen.<ul style="list-style-type: none"><li>- Entfernen Sie alle Türen vom Gerät.</li><li>- Lassen Sie die Regale an Ort und Stelle, damit Kinder nicht einfach hineinklettern können.</li></ul></li><li>• Lassen Sie Kinder niemals mit dem Gerät operieren, spielen oder hineinkriechen.</li><li>• <b>Kühlmittel:</b> Alle Kälteprodukte enthalten Kühlmittel, die nach den Richtlinien des Bundesgesetzes vor der Entsorgung des Produktes entfernt werden müssen. Es liegt in der Verantwortung des Verbrauchers, bei der Entsorgung dieses Produkts die gesetzlichen und örtlichen Vorschriften einzuhalten.</li><li>• Reinigen Sie Geräteteile niemals mit brennbaren Flüssigkeiten. Die Dämpfe können zu einer Brandgefahr oder Explosion führen.</li><li>• Lagern oder verwenden Sie kein Benzin oder andere brennbare Dämpfe und Flüssigkeiten in der Nähe dieses oder eines anderen Gerätes. Die Dämpfe könnten eine Brandgefahr oder eine Explosion verursachen.</li></ul> <p style="text-align: center;">- Diese Anweisungen bitte aufbewahren-</p>	

## MONTAGEANLEITUNGEN

### Vor dem Gebrauch des Gerätes

- Entfernen Sie die Außen- und Innenverpackung.
- Bevor Sie das Gerät an die Stromquelle anschließen, lassen Sie es ca. 4 Stunden aufrecht stehen. Dadurch wird die Möglichkeit einer Fehlfunktion des Kühlsystems durch unsachgemäße Handhabung während des Transports reduziert.
- Reinigen Sie die Innenfläche mit einem weichen Tuch mit lauwarmem Wasser.

### Standgerät Montage

- Dieses Gerät ist für **den Einbau oder als Standgerät** konzipiert.
- Platzieren Sie das Gerät außerhalb von direktem Sonnenlicht und Wärmequellen (Herd, Heizung, Heizkörper, etc.). Direkte Sonneneinstrahlung kann die Acrylbeschichtung beeinträchtigen und Wärmequellen können den Stromverbrauch erhöhen. Umgebungstemperaturen unter 20°C (68°F) oder über 32°C (90°F) beeinträchtigen die Leistung dieses Geräts. **Dieses Gerät ist nicht für den Einsatz in einer Garage oder einer anderen Außenanlage vorgesehen.**
- Vermeiden Sie es, das Gerät in feuchten Bereichen aufzustellen.
- Schließen Sie das Gerät an eine vorschriftsmäßig installierte, geerdete Steckdose an. Schneiden oder entfernen Sie auf keinen Fall den dritten (Erdung) Stift aus dem Netzkabel. Bei Fragen zur Stromversorgung und/oder Erdung wenden Sie sich bitte an eine Elektrofachkraft oder eine autorisierte Servicestelle. **Dieses Gerät ist nicht für den Einbau in ein Wohnmobil oder den Betrieb mit einem Wechselrichter vorgesehen.**
- Nachdem Sie das Gerät an eine Steckdose angeschlossen haben, lassen Sie das Gerät 3-4 Stunden kühlen, bevor Sie Weinflaschen oder Getränkedosen in das Gerät stellen.



### Einbau-Montage

Das in Abbildung (A) dargestellte Ausschnittmaß ermöglicht bei der Montage als Einbaugerät das Schwenken der Tür und den Zugang zu den Auszugsfächern. Bei der Montage zwischen rahmenlosen Schränken kann eine ½" breite Füllleiste oder Seitenwand auf der Bandseite erforderlich sein. Die Füllleiste dient als Abstandhalter zwischen dem Gerätegehäuse und der angrenzenden Schranktürschwenkung. Die Breite der Öffnung muss die Filterplatten enthalten.

### Hinweis:

Die Tür sollte mindestens 1" über die umliegenden Schränke hinausragen.

### Elektrischer Anschluss

Dieses Gerät sollte zu Ihrer Sicherheit ordnungsgemäß geerdet sein. Das Netzkabel dieses Geräts ist mit einem dreipoligen Stecker ausgestattet, der mit den standardmäßigen dreipoligen Steckdosen zusammenpasst, um die Möglichkeit eines Stromschlags zu minimieren. Unter keinen Umständen darf der dritte Erdungsstift vom mitgelieferten Netzkabel abgetrennt oder entfernt werden.

Dieses Gerät benötigt eine Standard 115 Volt Wechselstrom /60Hz Steckdose mit drei Stift-Erdung (**Produkt für Amerika**) oder eine 220-240 Volt Wechselstrom /50Hz Steckdose mit drei Stift-Erdung (**Produkt für Europa**)

Dieses Gerät ist nicht für den Betrieb mit einem Wechselrichter vorgesehen.

Das Kabel sollte hinter dem Gerät befestigt werden und nicht freiliegend oder baumelnd zurückgelassen werden, um versehentliche Verletzungen zu vermeiden.

Den Netzstecker des Gerätes niemals durch Ziehen am Netzkabel ausstecken. Halten Sie den Stecker immer fest und ziehen Sie ihn gerade aus der Steckdose heraus.

Verwenden Sie bei diesem Gerät kein Verlängerungskabel. Wenn das Netzkabel zu kurz ist, lassen Sie einen qualifizierten Elektriker oder Servicetechniker eine Steckdose in der Nähe des Geräts installieren. Die Verwendung eines Verlängerungskabels kann die Leistung des Geräts negativ beeinflussen.

## GERÄTEMERKMALE

### Zwei Temperaturzonen

- Das Gerät verfügt über zwei Zonen (Obere und untere Zone).
- Jede Zone verfügt über eine unabhängige Temperaturregelung und -anzeige.
- Jede der beiden Zonen kann zur Lagerung von Weinflaschen oder Getränken genutzt werden.
- Die obere Zone kann bis zu 16 Weinflaschen\* aufnehmen und die untere Zone bis zu 28 Weinflaschen\*.

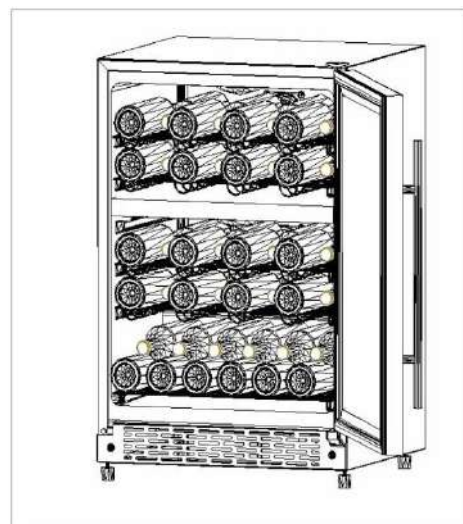
\*Die Maximale Kapazität von Weinflaschen ist berechnet mit Standard 750ML Bordeaux Flaschen.

### Innenbeleuchtung

- Jeder Bereich hat seine eigene Innenbeleuchtung, die durch Drücken der Taste (Licht) am Bedienfeld ein- und ausgeschaltet werden kann. Langlebige und hocheffiziente LEDs sorgen für Dauerhaftigkeit und Energieeinsparung.

### Einrastende Weinregale

- Alle Regale verfügen über Vorsprünge, um im Schrank auf beiden Seiten einzurasten.
- Jedes der Regale kann entfernt werden, um größere Flaschen aufzunehmen.



### Entfernen eines Regals:

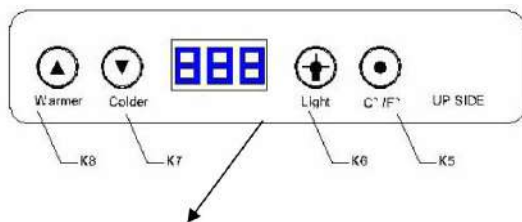
- Entfernen Sie alle Flaschen (Dosen) aus den Regalen.
- Heben Sie das Regal nach oben und ziehen Sie es dann vorsichtig heraus.

### Das Einsetzen eines Regals:

- Setzen Sie die Seiten der Regale wieder auf die Stützführungen des Schrankes und schieben Sie sie zurück, bis die Regalklappen einrasten.

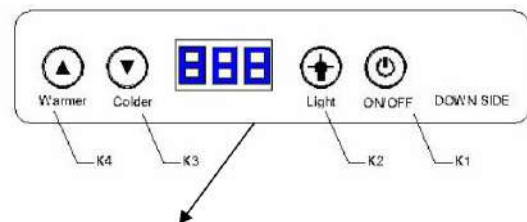
**HINWEIS:** Stellen Sie sicher, dass die Vorsprünge fest eingerastet sind, bevor Sie Flaschen lagern.

## BEDIENUNG DES GERÄTES



Up zone control board

Kontrollpaneel der oberen Zonen



Down zone control board

Kontrollpaneel der unteren Zone

### Die Temperatur der Weinlagerung

Champagner 5°C - 8°C, Weißwein 9°C - 14°C, Rotwein 15°C - 18°C

### Temperaturkontrolle und Anzeige

1. Wenn das Gerät angeschlossen wird, leuchten beide Anzeigen 3 Sekunden lang auf (Display888), und es ertönt ein Signalton.
2. Die Temperaturen in der oberen und unteren Zone können unabhängig voneinander gesteuert und angezeigt werden.
3. Die Temperatur in beiden Zonen kann zwischen 39°F und 68°F (4°C bis 20°C) geregelt werden. (Die Zonentemperatur kann je nach Belastung und Umgebungsbedingungen eine Toleranz von +/-5°F (+/-3°C) gegenüber der Einstellung haben.)

### Speichergerät

Wenn das Gerät nach einem Stromausfall neu gestartet wird, wird das Speichergerät

### Taste K1 (EIN/AUS)

Netzschalter: Drücken Sie diese Taste, um das Gerät ein- und auszuschalten. Zur Vermeidung von Unfällen halten Sie die Taste 3 Sekunden lang gedrückt.

### Taste K2 (untere Innenbeleuchtung)

Schalter zur Steuerung der Innenbeleuchtung der unteren Zone: Zum Ein- und Ausschalten der Innenbeleuchtung wird die Taste K2 jeweils einmal gedrückt. Das Innenlicht leuchtet weiter, wenn es nicht ausgeschaltet wurde.

### Taste K3/K4 (kälter /wärmer)

Temperatureinstellungsschalter der unteren Zone: Unter normalen Bedingungen blinkt die Temperaturanzeige und zeigt die aktuelle Temperatur der unteren Zone an. Durch Drücken der Taste K3/K4 bei der Temperatureinstellung wird die angezeigte Temperatur um ein Grad verringert oder erhöht. Wird die Taste K3 (kälter) oder K4 (wärmer) eine Sekunde lang gedrückt gehalten, sinkt oder steigt die angezeigte Temperatur um ein Grad pro Sekunde. Die Temperaturanzeige blinkt 5 Sekunden nach dem Einstellen der Temperatur und zeigt die aktuelle Temperatur an.

### **Taste K5 (C°/F°)**

Die Temperaturanzeige kann durch Drücken der Taste K5 zwischen Celsius und Fahrenheit umgeschaltet werden.

### **Taste K6 (obere Innenbeleuchtung)**

Innenlichtschalter der oberen Zone: Um die Innenbeleuchtung ein- oder auszuschalten, drücken Sie einmal die Taste K6 jeweils einmal. Das Innenlicht leuchtet weiter, wenn es nicht ausgeschaltet wurde.

### **Taste K7/K8 (kälter /wärmer)**

Temperatureinstellschalter der oberen Zone: Unter normalen Bedingungen blinkt die Temperaturanzeige und zeigt die aktuelle Temperatur der oberen Zone an. Durch Drücken der Taste K7/K8 beim Einstellen der Temperatur wird die angezeigte Temperatur um ein Grad verringert oder erhöht. Wird die Taste K7 (kälter) oder K8 (wärmer) eine Sekunde lang gedrückt gehalten, sinkt oder steigt die angezeigte Temperatur um ein Grad pro Sekunde. Die Temperaturanzeige blinkt 5 Sekunden nach dem Einstellen der Temperatur und zeigt die aktuelle Temperatur an.

## **PFLEGE UND WARTUNG**

### **Automatische Entfrostung**

- Der Eisansatz an der inneren Rückwand während des Kompressorbetriebs wird in einem Kompressor-Abschaltzyklus automatisch abgetaut.
- Bei laufender Abtauung laufen nur die Umwälzlüfter für beide Zonen.
- Abtauwasser läuft in die Tropfschale (am Kompressor) und das Wasser wird durch den Kompressor verdampft.

### **Reinigung**

- Nach der Installation Ihres neuen Gerätes wird empfohlen, es gründlich zu reinigen.
- Ziehen Sie den Netzstecker aus der Steckdose.
- Entfernen Sie alle Inhalte.
- Reinigen Sie die Innenseite mit einem feuchten, warmen Tuch, das mit lauwarmem Wasser und Backpulverlösung getränkt ist. Die Lösung sollte etwa 2 Esslöffel Backpulver pro viertel Liter Wasser sein.
- Achten Sie darauf, die Türdichtung (Dichtung) sauber zu halten, damit das Gerät effizient läuft.
- Die Außenseite des Gerätes sollte mit einem milden Reinigungsmittel und warmem Wasser gereinigt werden.
- Innen und außen mit einem weichen Tuch abtrocknen.
- Staub oder etwas anderes, das die Entlüftung blockiert, kann die Kühlleistung des Geräts beeinträchtigen. Entlüftung bei Bedarf absaugen

### **Urlaubsreisen**

- Ziehen Sie den Netzstecker aus der Steckdose.
- Entfernen Sie den gesamten Inhalt.
- Reinigen Sie das Gerät.
- Lassen Sie die Tür leicht offen, um mögliche Kondensat-, Schimmel- oder Geruchsbildung zu vermeiden.
- Kurzurlaub: Lassen Sie das Gerät in Urlaubszeiten von weniger als drei Wochen in Betrieb.
- Langer Urlaub: Wenn das Gerät mehrere Monate lang nicht benutzt werden soll, entfernen Sie den gesamten Inhalt und ziehen Sie den Netzstecker. Reinigen und trocknen Sie den Innenraum gründlich. Um Geruchs- und Schimmelbildung zu vermeiden, lassen Sie die Tür leicht offen und blockieren Sie sie falls nötig damit sie offenbleibt.

### **Verlagerung Ihres Gerätes**

- Ziehen Sie den Netzstecker aus der Steckdose.
- Entfernen Sie den gesamten Inhalt.
- Kleben Sie alle losen Gegenstände in Ihrem Gerät sicher mit Klebeband fest.
- Kleben Sie die Türen zu.

### Energiespartipps

- Das Gerät sollte im kühlestem Bereich des Raumes, fernab von wärmeerzeugenden Geräten oder Heizungskanälen und außerhalb der direkten Sonneneinstrahlung aufgestellt werden.
- Vergewissern Sie sich, dass die Tür geschlossen ist, wenn das Gerät angeschlossen ist.

## ANLEITUNG ZUR FEHLERBEHEBUNG

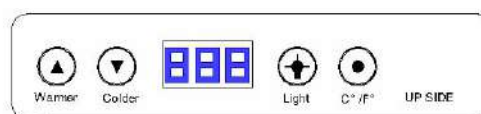
Sie können viele gängige Geräteprobleme einfach lösen und sparen so die Kosten für einen eventuellen Serviceeinsatz. Probieren Sie die folgenden Vorschläge aus, um zu sehen, ob Sie das Problem lösen können, bevor Sie den Kundendienst anrufen.

PROBLEM	MÖGLICHE URSACHE
Anzeige blinkt und zeigt "HH" an, Blinkfrequenz einmal pro Sekunde	Der Thermosensor der Zone >37°
Anzeige blinkt und zeigt "LL" an, Blinkfrequenz einmal pro Sekunde	Der Thermosensor der Zone <0°
Anzeige blinkt und zeigt "E0" an, Blinkfrequenz einmal pro Sekunde	Anschluss fehlerhaft, Kabel oder Komponente ist nicht fest verbunden
Anzeige blinkt und zeigt "E1" an, Blinkfrequenz einmal pro Sekunde	Der Thermosensor der entsprechenden Zone ist defekt
Anzeige blinkt und zeigt "E2" an, Blinkfrequenz einmal pro Sekunde	Der Abtau-Sensor (Spulensensor) in der entsprechenden Zone ist defekt.
Gerät funktioniert nicht	Nicht eingesteckt. Der Schutzschalter hat ausgelöst oder eine Sicherung ist geplatzt.
Die Temperatur im Inneren des Gerätes ist zu warm	Die Temperaturregelung ist zu warm eingestellt. Stellen Sie sie auf eine kühlere Temperatur und warten Sie einige Stunden, damit sich die Temperatur stabilisieren kann. Die Tür wird zu lange offengehalten oder zu oft geöffnet. Bei jedem Öffnen der Tür tritt warme Luft in das Gerät ein. Versuchen Sie die Tür seltener zu öffnen. Die Tür ist nicht vollständig geschlossen. Die Türdichtung dichtet nicht richtig ab. Das Gerät wurde vor kurzem für eine längere Zeit abgeschaltet. Es werden 4 Stunden benötigt, damit sich das Gerät vollständig abkühlt.
Die Temperatur im Inneren des Gerätes ist zu kalt	Die Temperaturregelung ist zu kalt eingestellt. Stellen Sie den Regler auf in eine wärmere Temperatur und warten Sie einige Stunden, damit sich die Temperatur stabilisiert.
Vibrationen	Stellen Sie sicher, dass sich das Gerät auf einer ebenen Oberfläche befindet. Das Gerät berührt die Wand. Richten Sie das Gerät aus und entfernen Sie es von der Wand. Falls es weiterhin zu Vibrationen kommt, schalten Sie das Gerät aus und ziehen Sie den Netzstecker. Kontaktieren Sie den Kundendienst für weitere Unterstützung.
Feuchtigkeitsbildung an den Innenwänden des Gerätes	Die Tür ist leicht geöffnet. Die Tür wird zu lange offengehalten oder zu oft geöffnet. Öffnen Sie die Tür seltener. Die Tür ist nicht richtig abgedichtet.
Feuchtigkeitsbildung an der Außenseite des Gerätes	Die Tür ist leicht geöffnet, so dass kalte Luft aus dem Inneren des Gerätes auf warme, feuchte Luft von außen trifft.
Die Tür lässt sich nicht richtig schließen	Das Gerät steht nicht auf einer ebenen Oberfläche. Die Dichtung ist verschmutzt.

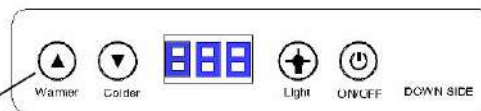
Pour garantir une utilisation correcte de cet appareil et de votre sécurité, veuillez lire attentivement les instructions suivantes avant d'utiliser cet appareil.

## COMPOSANTS ET PIÈCES

1. Contrôle et affichage de la température



2. Manifestation de la zone de diffusion du ventilateur vers le haut

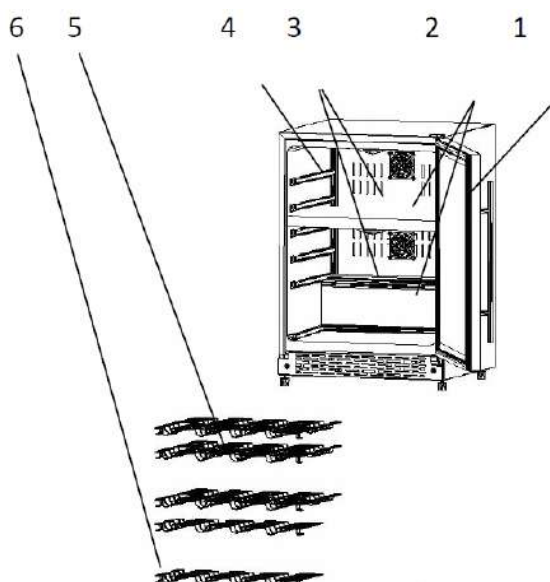


3. Manifestation de la zone de lumière intérieure vers le bas

4. Cabinet

5. Grande étagère en chrome sculpté (stockage du vin)

6. Petite étagère en chrome sculpté (stockage du vin)



## CONSIGNES DE SÉCURITÉ IMPORTANTES

<b>⚡ AVERTISSEMENT ⚡</b>	Pour réduire les risques d'incendie, de choc électrique ou de blessure lors de l'utilisation de votre appareil, suivez ces précautions de base:
<ul style="list-style-type: none"><li>• Cet appareil n'est pas conçu pour être utilisé par des personnes (y compris des enfants) ayant des capacités physiques, sensorielles ou mentales réduites, ou par manque d'expérience et de connaissances, à moins d'avoir été supervisé ou instruit par une personne responsable de leur sécurité. .</li><li>• Les enfants doivent être surveillés pour s'assurer qu'ils ne jouent pas avec l'appareil.</li><li>• Lisez toutes les instructions avant d'utiliser le refroidisseur à vin ou à boisson.</li><li>• <b>DANGER ou AVERTISSEMENT:</b> Risque de coincement de l'enfant.</li><li>• Pour éviter le risque de coincement de l'enfant, veuillez prendre les précautions suivantes avant de jeter l'appareil.<ul style="list-style-type: none"><li>- Retirez toutes les portes de l'appareil.</li><li>- Laissez les étagères en place pour que les enfants ne puissent pas facilement monter à l'intérieur.</li></ul></li><li>• Ne laissez jamais les enfants manipuler, jouer avec ou ramper à l'intérieur de l'appareil.</li><li>• <b>Fluides frigorigènes:</b> Tous les produits de réfrigération contiennent des réfrigérants qui, conformément aux directives de la législation fédérale, doivent être retirés avant la mise au rebut du produit. Il incombe au consommateur de se conformer aux réglementations fédérales et locales lors de la mise au rebut de ce produit.</li><li>• Ne nettoyez jamais les pièces de l'appareil avec des liquides inflammables. Les vapeurs peuvent créer un risque d'incendie ou d'explosion.</li><li>• Ne pas entreposer ni utiliser d'essence ou d'autres vapeurs et liquides inflammables à proximité de cet appareil ou de tout autre appareil. Les vapeurs peuvent créer un risque d'incendie ou une explosion.</li></ul> <p style="text-align: center;">-Sauvegardez ces instructions-</p>	

## INSTRUCTIONS D'INSTALLATION

### Avant d'utiliser votre appareil

- Retirez l'emballage extérieur et intérieur.
- Avant de connecter l'appareil à la source d'alimentation, laissez-le reposer pendant environ 4 heures. Cela réduira le risque de dysfonctionnement du système de refroidissement dû à une mauvaise manipulation pendant le transport.
- Nettoyez la surface intérieure avec de l'eau tiède à l'aide d'un chiffon doux.

### Installation autonome

- Cet appareil est conçu pour avec une **installation intégrée ou autonome**.
- Placez l'appareil à l'abri de la lumière directe du soleil et des sources de chaleur (cuisinière, chauffage, radiateur, etc.). La lumière directe du soleil peut affecter le revêtement acrylique et les sources de chaleur peuvent augmenter la consommation électrique. Une température ambiante inférieure à 20 ° C (68 ° F) ou supérieure à 32 ° C (90 ° F) nuira aux performances de cet appareil. **Cet appareil n'est pas conçu pour être utilisé dans un garage ou toute autre installation extérieure.**
- Évitez de placer l'appareil dans des endroits humides.
- Branchez l'appareil dans une prise murale dédiée, correctement installée. Ne coupez ou ne retirez en aucun cas la troisième broche du sol. Toute question concernant l'alimentation et / ou la mise à la terre doit être adressée à un électricien agréé ou à un centre de service agréé. **Cet appareil n'est pas conçu pour être installé dans un véhicule de camping ou utilisé avec un onduleur.**
- Après avoir branché l'appareil dans une prise murale, laissez-le refroidir pendant 3 à 4 heures avant de placer les bouteilles de vin ou les canettes dans l'appareil.

### Installation intégrée

Les dimensions de la découpe illustrées à la figure (A) permettent de faire pivoter la porte et d'accéder aux tablettes coulissantes lorsqu'elles sont installées en tant qu'appareil intégré. Si vous installez entre des armoires sans cadre, une bande de remplissage ou un panneau latéral de ½ po de largeur peut être nécessaire du côté des charnières. La bande de remplissage agira comme une entretoise entre le boîtier de l'appareil et la porte de l'armoire adjacente. La largeur de l'ouverture doit inclure les panneaux filtrants.

### Note:

La porte doit dépasser d'au moins 1 po au-delà des armoires environnantes.

### Connexion électrique

Cet appareil doit être correctement mis à la terre pour votre sécurité. Le fil d'alimentation de cet appareil est équipé d'une fiche à trois broches qui s'emboîte avec les prises murales à trois broches standard afin de minimiser les risques de choc électrique. Ne pas, en aucun cas, couper ou retirer la troisième broche de terre du fil d'alimentation fourni.

Cet appareil nécessite une prise électrique standard 115 V / 60 Hz avec une mise à la terre à trois broches (**produit vers l'Amérique**) ou une prise électrique 220-240 V ca / 50 Hz avec une mise à la terre à trois broches (**produit vers l'Europe**)

Cet appareil n'est pas conçu pour être utilisé avec un onduleur.

Le fil doit être attaché derrière l'appareil et ne pas être exposé ou suspendu pour éviter toute blessure accidentelle.

Ne débranchez jamais l'appareil en tirant sur le fil d'alimentation. Toujours saisir fermement la fiche et la retirer du réceptacle.

N'utilisez pas de rallonge avec cet appareil. Si le fil d'alimentation est trop court, demandez à un électricien qualifié ou à un technicien qualifié d'installer une prise à proximité de l'appareil. L'utilisation d'une rallonge peut nuire aux performances de l'appareil.

## CARACTÉRISTIQUES DE L'APPAREIL

### Deux zones de température

- Il y a deux zones dans cet appareil (zone haute et zone basse)
- Chaque zone a son contrôle de température et son affichage indépendants.
- Chacune des deux zones peut être utilisée pour stocker des bouteilles de vin ou des boissons.
- la zone Up peut contenir jusqu'à 16 bouteilles de vin\* et la zone Down peut contenir jusqu'à 28 bouteilles de vin\*.

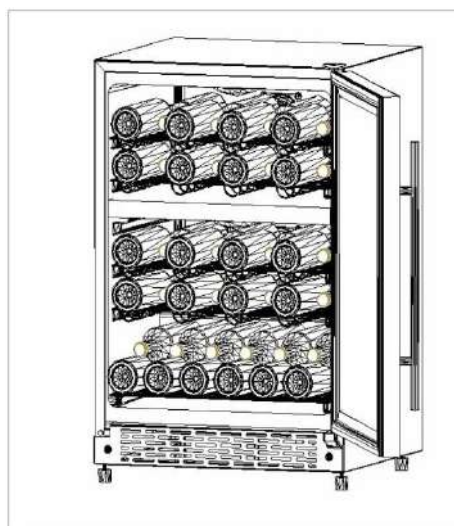
\*La capacité maximale des bouteilles de vin est basée sur la capacité des bouteilles bordelaises standard de 750 ml.

### Lumière intérieure

- Chaque zone possède sa propre lumière intérieure, qui peut être activée ou désactivée en appuyant sur la touche (lumière) du panneau de commande. Des LED à longue durée de vie et à haut rendement sont installées pour une durabilité et des économies d'énergie.

### Étagères à vin engagées

- Toutes les tablettes ont des languettes pour engager l'armoire des deux côtés.
- N'importe quelle étagère peut être retirée pour accueillir des bouteilles plus grandes.



### Pour supprimer une étagère:

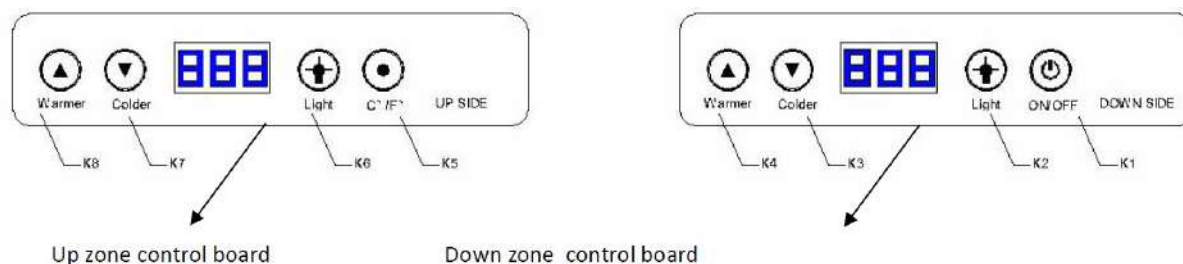
- Retirez toutes les bouteilles (boîtes) des étagères.
- Soulevez l'étagère et retirez délicatement l'étagère.

### Pour remplacer une étagère:

- Placez les côtés des étagères sur les guides de support de l'armoire et repoussez-les jusqu'à ce que les languettes de l'étagère glissent en place.

**NOTE: Assurez-vous que les languettes sont fermement engagées avant de stocker des bouteilles.**

## UTILISATION DE VOTRE APPAREIL



### La température du vin stocké

Champagne 5 ° ~ 8 °, vin de raisin blanc 9 ° ~ 14 °, vin de raisin rouge 15 ° ~ 18 °

### Contrôle de la température et affichage

1. Lorsque l'appareil est branché, les deux voyants s'allument pendant 3 secondes (affichage 888) et un bip sonore retentit.
2. Les températures dans la zone haute et la zone basse peuvent être contrôlées et affichées indépendamment.
3. La température dans chaque zone peut être contrôlée entre 39 ° F et 68 ° F (4 ° C à 20 ° C). (La température de la zone peut avoir une tolérance de +/- 3 ° C (+/- 5 ° F) en fonction du chargement et des conditions ambiantes.)

### Périphérique de mémoire

Lorsque vous redémarrez l'appareil après une panne de courant, le périphérique de mémoire sera

### Touche K1 (ON / OFF)

Interrupteur: appuyez sur cette touche pour allumer et éteindre l'appareil. Pour éviter le contrôle des accidents, continuez d'appuyer pendant 3 secondes.

### Touche K2 (éclairage intérieur bas)

Interrupteur de commande d'éclairage intérieur de la zone inférieure: Pour allumer ou éteindre l'éclairage intérieur, appuyez une fois sur la touche K2 à chaque fois. L'éclairage intérieur continuera à s'allumer s'il n'est pas éteint.

### Touche K3 / K4 (plus froid / plus chaud)

Interrupteur de réglage de la température de la zone basse: Dans des conditions normales, l'affichage de la température clignote et indique la température actuelle de la zone basse. En appuyant sur la touche K3 / K4 lors du réglage de la température, la température affichée diminuera ou augmentera par incréments d'un degré. Si la touche K3 (plus froide) ou K4 (plus chaude) est maintenue enfoncée pendant une seconde, la température affichée diminue ou augmente à la vitesse d'un degré par seconde. L'affichage de la température clignote 5 secondes après le réglage de la température et indique la température actuelle.

### Touche K5 (C ° / F °)

L'affichage de la température peut être changé entre Celsius et Fahrenheit en appuyant sur la touche K5.



### **Touche K6 (éclairage intérieur haut)**

Interrupteur d'éclairage intérieur de la zone haute: Pour allumer ou éteindre l'éclairage intérieur, appuyez une fois sur la touche K6 à chaque fois. L'éclairage intérieur continuera à s'allumer s'il n'est pas éteint.

### **Touche K7 / K8 (plus froid / plus chaud)**

Interrupteur de réglage de la température de la zone haute: Dans des conditions normales, l'affichage de la température clignote et indique la température actuelle de la zone haute. En appuyant sur la touche K7 / K8 lors du réglage de la température, la température affichée diminuera ou augmentera par incréments d'un degré. Si vous maintenez la touche K7 (plus froide) ou K8 (plus chaude) enfoncée pendant une seconde, la température affichée diminue ou augmente d'une vitesse d'un degré par seconde. L'affichage de la température clignote 5 secondes après le réglage de la température et indique la température actuelle.

## **SOIN ET ENTRETIEN**

### **Dégivrage automatique**

- L'accumulation de glace sur la paroi arrière interne pendant le fonctionnement du compresseur sera automatiquement décongelée lors d'un cycle d'arrêt du compresseur.
- Lorsque le dégivrage est en cours, seuls les ventilateurs de circulation des deux zones fonctionnent.
- L'eau de dégivrage s'écoulera dans le bac de récupération (sur le compresseur). L'eau sera évaporée par le compresseur

### **Nettoyage**

- Lors de l'installation de votre nouvel appareil, il est recommandé de le nettoyer soigneusement.
- Débranchez l'appareil de la prise murale.
- Supprimer tout le contenu.
- Lavez l'intérieur avec un chiffon humide imbibé d'eau tiède et d'une solution de bicarbonate de soude. La solution devrait être d'environ 2 cuillères à soupe de bicarbonate de soude dans un litre d'eau.
- Veillez à garder le joint de la porte (joint) propre pour que l'appareil fonctionne correctement.
- L'extérieur de l'appareil doit être nettoyé avec un détergent doux et de l'eau chaude.
- Séchez l'intérieur et l'extérieur avec un chiffon doux.
- La poussière ou tout autre élément bloquant la ventilation peut nuire à l'efficacité du refroidissement de l'appareil. Passez l'aspirateur si nécessaire.

### **Les vacances**

- Débranchez l'appareil de la prise murale.
- Supprimer tout le contenu.
- Nettoyez l'appareil.
- Laissez la porte légèrement ouverte pour éviter la formation éventuelle de condensation, de moisissure ou d'odeurs.
- Vacances de courte durée: laissez l'appareil en marche pendant les vacances de moins de trois semaines.
- Vacances longues: Si l'appareil n'est pas utilisé pendant plusieurs mois, retirez tout le contenu et débranchez le cordon d'alimentation. Nettoyez et séchez soigneusement l'intérieur. Pour éviter la formation d'odeurs et de moisissures, laissez la porte légèrement ouverte en la bloquant si nécessaire.

### **Déplacement de votre appareil**

- Débranchez l'appareil de la prise murale.
- Supprimez tout le contenu.
- Fixez soigneusement tous les articles en vrac à l'intérieur de votre appareil.
- Fermez les portes avec du ruban adhésif.

### **Conseils d'économie d'énergie**

- L'appareil doit être situé dans la zone la plus froide de la pièce, loin des appareils produisant de la chaleur ou des conduits de chauffage et à l'abri de la lumière directe du soleil.
- Assurez-vous que la porte est fermée lorsque l'appareil est branché.

## GUIDE DE DÉPANNAGE

Vous pouvez résoudre facilement de nombreux problèmes courants liés aux appareils, ce qui vous permet d'économiser le coût d'une éventuelle révision. Essayez les suggestions ci-dessous pour voir si vous pouvez résoudre le problème avant d'appeler le service d'entretien.

PROBLÈME	POSSIBLE CAUSE
Affichage flash et indique "HH", vitesse du flash: une fois par seconde	Le capteur de température de la zone > 37 °
Affichage flash et indique "LL", vitesse du flash: une fois par seconde	Le capteur de température de la zone < 0 °
Affichage flash et indique "E0", vitesse du flash: une fois par seconde	Echec de connexion, fil ou composant mal connecté
Affichage flash et indique "E1", vitesse du flash: une fois par seconde	Le capteur de température est en panne dans la zone correspondante
Affichage flash et indique "E2", vitesse du flash: une fois par seconde	Le capteur de dégivrage (bobine sensor) est en panne dans la zone correspondante
L'appareil ne fonctionne pas	Pas branché. Le disjoncteur s'est déclenché ou il y a un souffle
La température à l'intérieur de l'appareil est trop chaude	Le contrôle de la température est trop chaud. Réglez le contrôle sur un réglage plus froid et attendez plusieurs heures pour que la température se stabilise. La porte reste ouverte trop longtemps ou est ouverte trop fréquemment. De l'air chaud pénètre dans l'appareil chaque fois que la porte est ouverte. Ouvrez la porte moins souvent. La porte n'est pas complètement fermée. Le joint de la porte ne scelle pas correctement. L'appareil a récemment été déconnecté pendant un certain temps. 4 heures sont nécessaires pour que l'appareil refroidisse complètement.
La température à l'intérieur de l'appareil est trop froide	Le contrôle de la température est trop froid. Tournez la commande à un réglage plus chaud et attendez plusieurs heures que la température se stabilise.
Vibrations.	Vérifiez que l'appareil est sur une surface plane. L'appareil touche le mur. Remontez l'appareil et déplacez-le du mur. En cas de vibration continue, éteignez l'appareil et débranchez le cordon d'alimentation. Contacter le service clientèle pour plus d'assistance.
L'humidité se forme à l'intérieur des murs de l'appareil	La porte est légèrement ouverte. La porte reste ouverte trop longtemps ou est ouverte trop fréquemment. Ouvrez la porte moins souvent. La porte n'est pas scellée correctement.
L'humidité se forme à l'extérieur de l'appareil	La porte est légèrement ouverte, ce qui provoque un apport d'air froid provenant de l'intérieur de l'appareil et permet de capter l'air chaud et humide de l'extérieur.
La porte ne se ferme pas correctement	L'appareil n'est pas sur une surface plane. Le joint est sale.